

Technical data sheet

Product features



Model	SAP Code	00013693
BI 70/80-50 E	A group of articles - web	Boiling kettles



- Device type: Electric unit
- Steam pressure regulation: Automatic - the pressure switch regulates the performance of the device
- Filling: Mechanical cock
- Jacket filling: Semi-automatic
- Drain: Yes
- Basin volume [l]: 50
- Usable volume [l]: 50

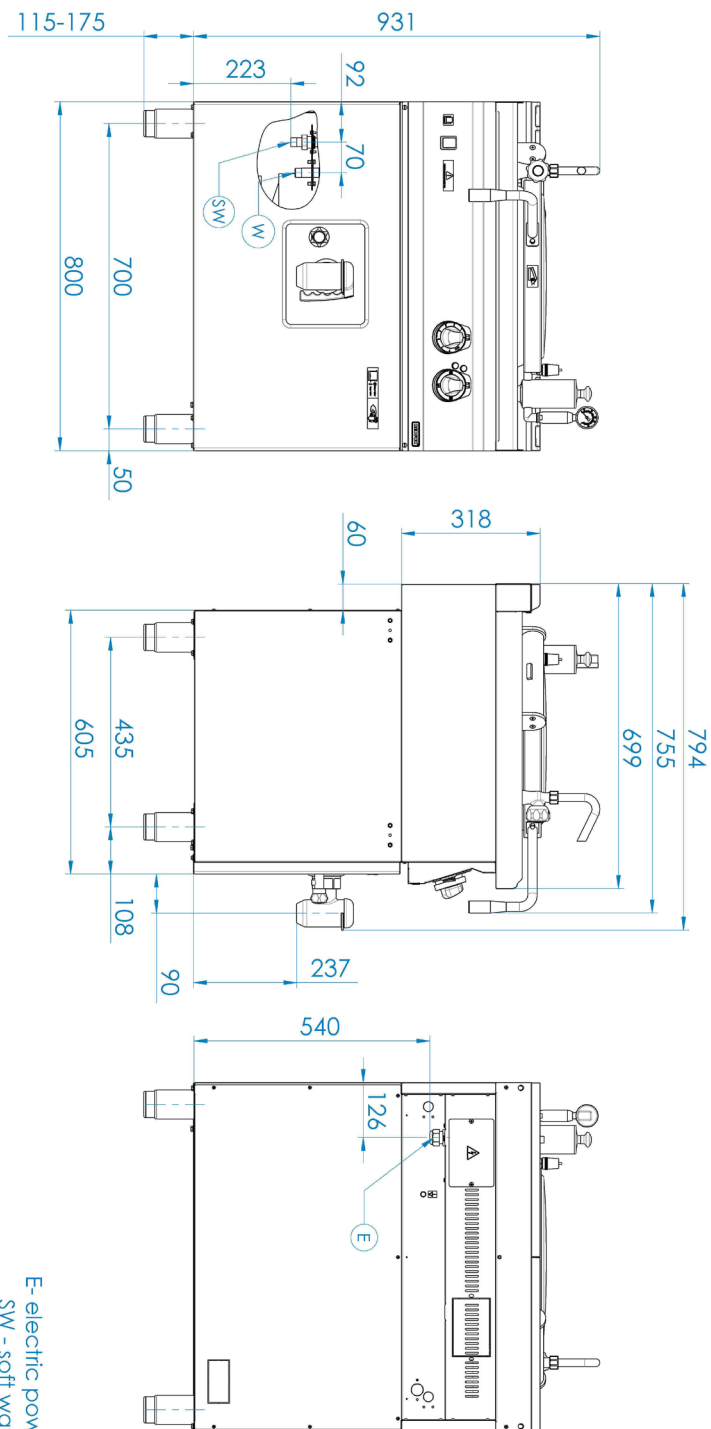
SAP Code	00013693	Power electric [kW]	12.000
Net Width [mm]	840	Loading	400 V / 3N - 50 Hz
Net Depth [mm]	800	Basin volume [l]	50
Net Height [mm]	975	Usable volume [l]	50
Net Weight [kg]	80.00	Steam pressure regulation	Automatic - the pressure switch regulates the performance of the device

Technical data sheet

Technical drawing



Model	SAP Code	00013693
BI 70/80-50 E	A group of articles - web	Boiling kettles



E - electric power
 SW - soft water
 W - water

Technical data sheet

Technical parameters



Model	SAP Code	00013693
BI 70/80-50 E	A group of articles - web	Boiling kettles

1. SAP Code:

00013693

2. Article group:

Kettles

3. Net Width [mm]:

840

4. Net Depth [mm]:

800

5. Net Height [mm]:

975

6. Net Weight [kg]:

80.00

7. Gross Width [mm]:

840

8. Gross depth [mm]:

800

9. Gross Height [mm]:

975

10. Gross Weight [kg]:

95.00

11. Device type:

Electric unit

12. Construction type of device:

With substructure

13. Power electric [kW]:

12.000

14. Loading:

400 V / 3N - 50 Hz

15. Material:

AISI 304 top plate, AISI 430 cladding

16. Worktop material:

AISI 304

17. Worktop Thickness [mm]:

1.20

18. Basin volume [l]:

50

19. Service accessibility:

Trough the frontal panel

20. Safety element:

steam pressure regulation by a safety safety valve

21. Safety thermostat:

Yes

22. Adjustable feet:

Yes

23. Bottom material:

AISI 316

24. Type of pan:

Fixed

25. Usable volume [l]:

50

26. Filling:

Mechanical cock

27. Jacket filling:

Semi-automatic

28. Steam pressure regulation:

Automatic - the pressure switch regulates the performance of the device

29. Type of drain valve:

with safety lock

30. Manometer:

Yes

Technical data sheet

Technical parameters



Model	SAP Code	00013693
BI 70/80-50 E	A group of articles - web	Boiling kettles

31. Water filling type:

Cold

32. Drain:

Yes